

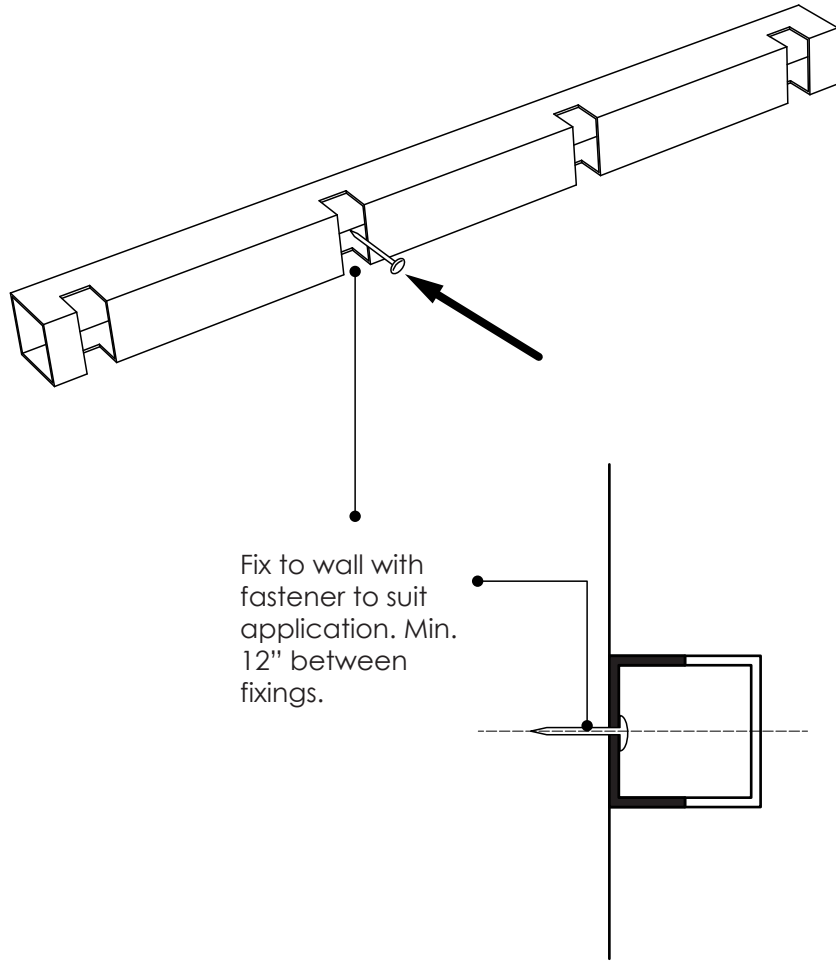
zintra™

VERTICAL BLADE INSTALL GUIDE

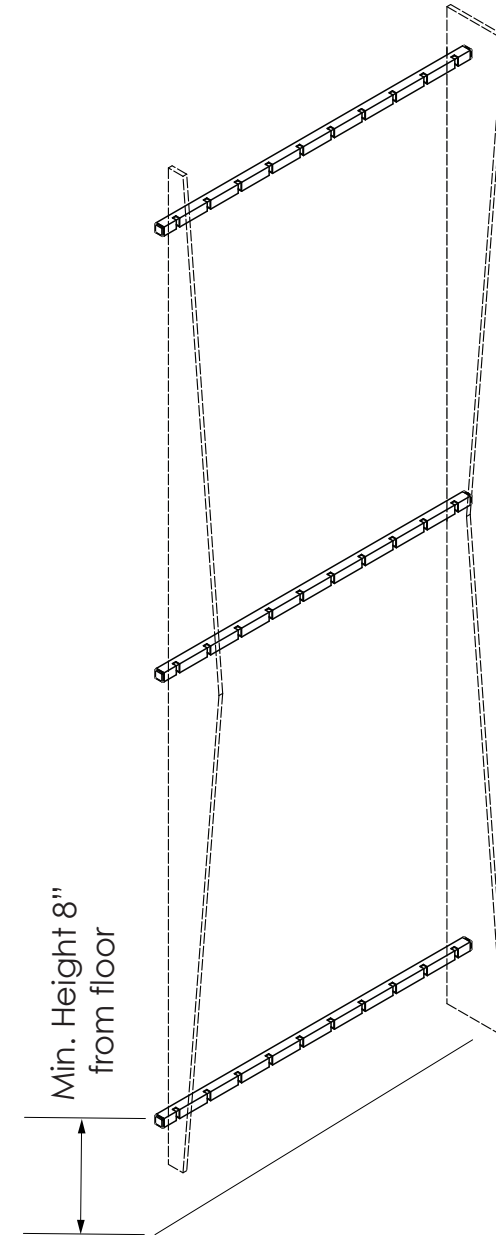


Toll free 1.800.268.1300 Sans frais 1.800.361.7881

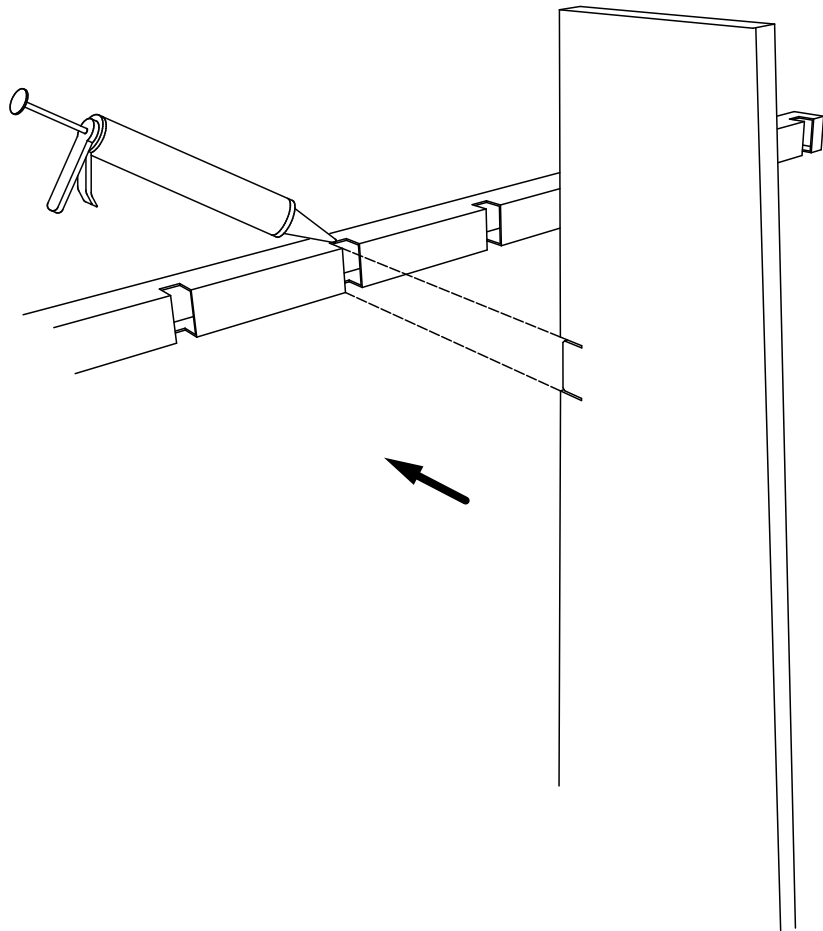
1) Dock blade fixing extrusion to suit application.



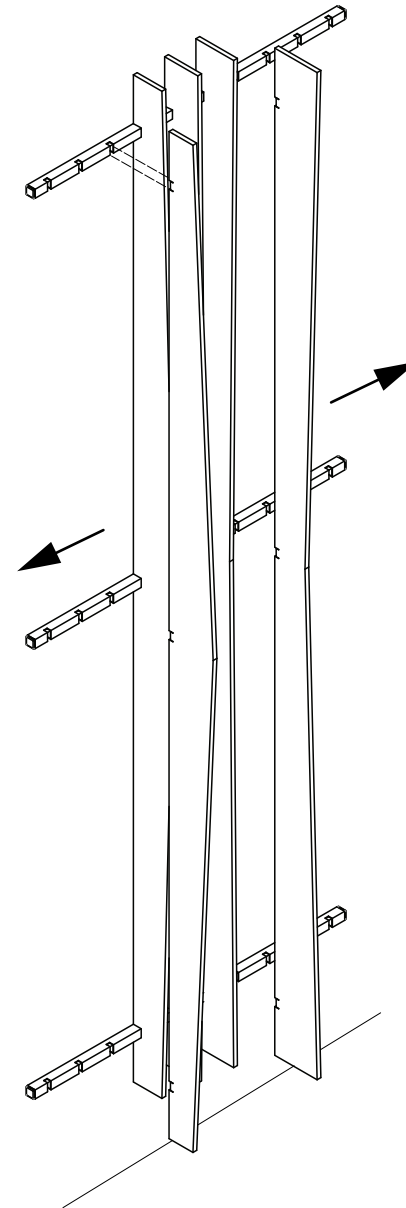
2) Fix support extrusions in parallel - Fit off blades temporarily to accurately position fixing extrusion.



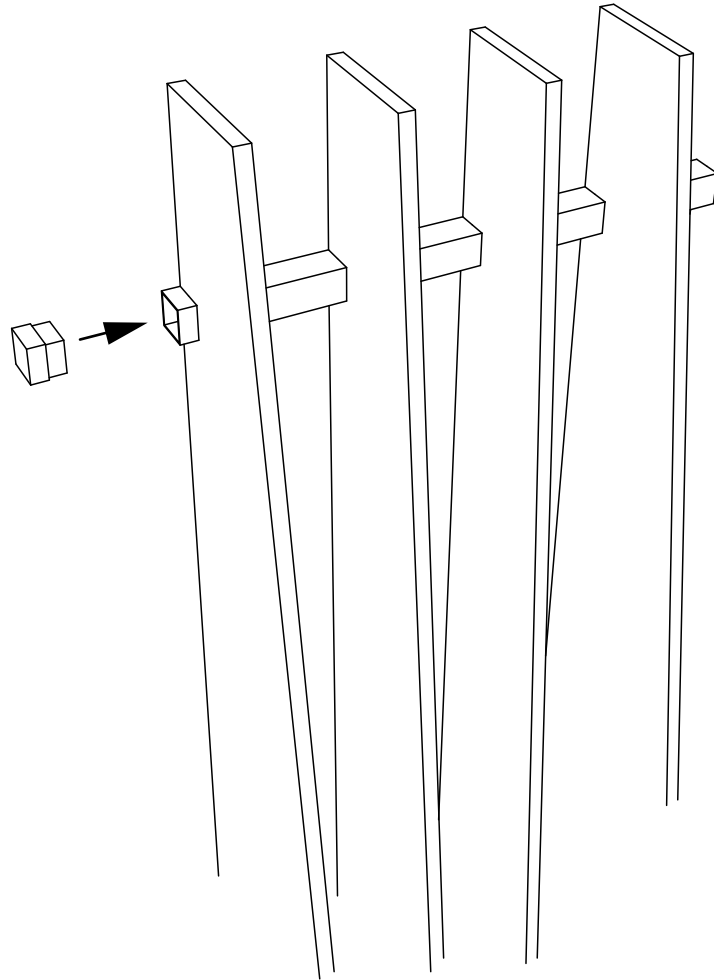
3) Apply Liquid Nails General Purpose to inside of extrusion prior to fixing the blades.
Ensure even application.



4) Fix blades off starting from the center. Wipe away excess silicone with a damp cloth.



5) Fix end cap to extrusion.



6) Allow silicone to cure as per manufacturer's instructions.

