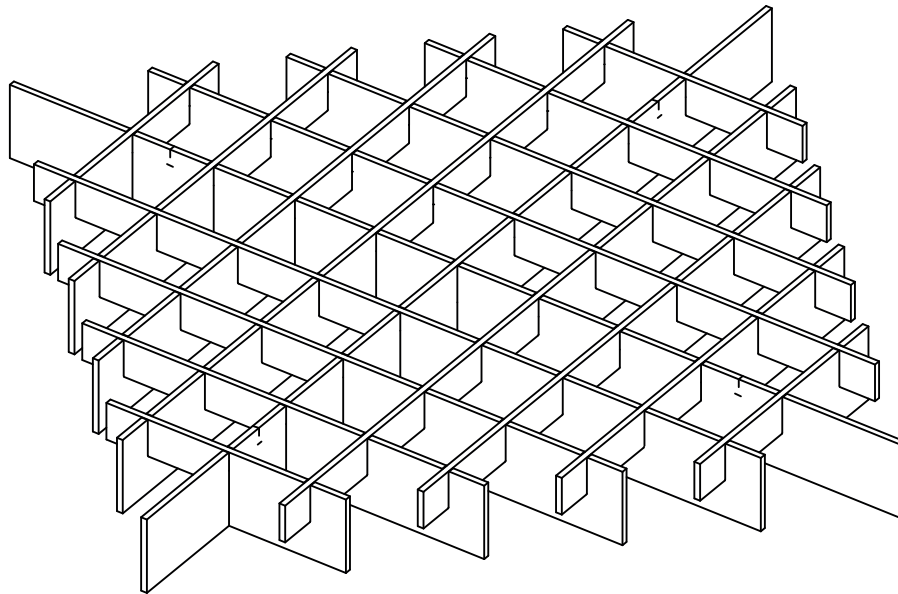


**zintra™**

# **DRANTE CLOUDS**

## **INSTALL GUIDE**



Toll free 1.800.268.1300 Sans frais 1.800.361.7881

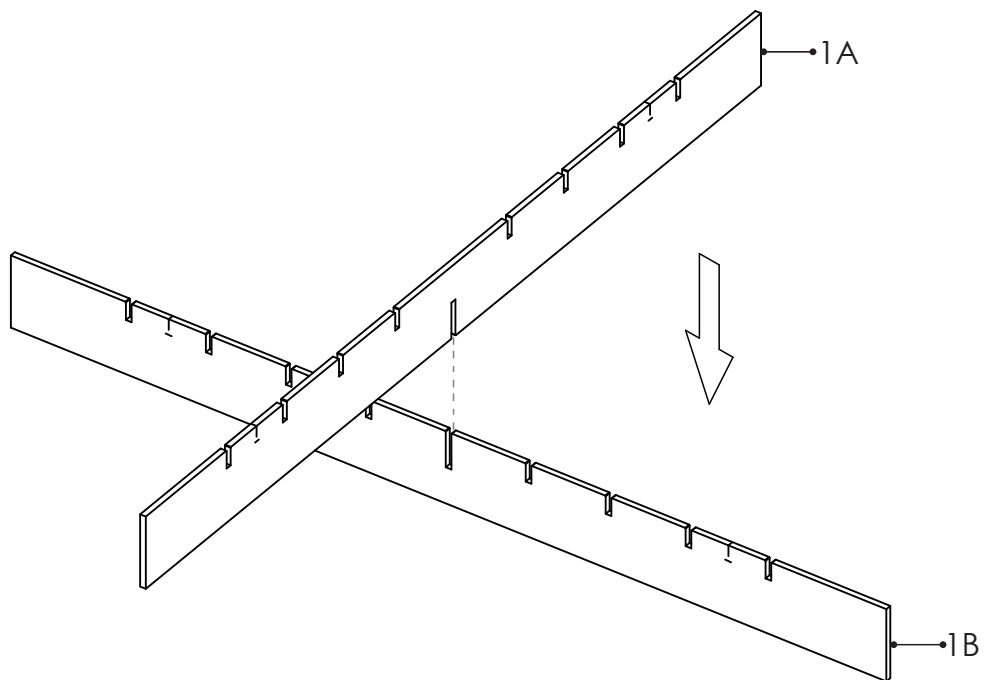
TORONTO | 88 Ronson Drive, Etobicoke, Ontario M9W 1B9

MONTREAL | 4269 Ste. Catherine Ouest #701 Montreal, Quebec H3Z 1P7

VANCOUVER | 611 Alexander Street, Suite 303 Vancouver, British Columbia V6A 1E1

# DRANTE CLOUD ASSEMBLY

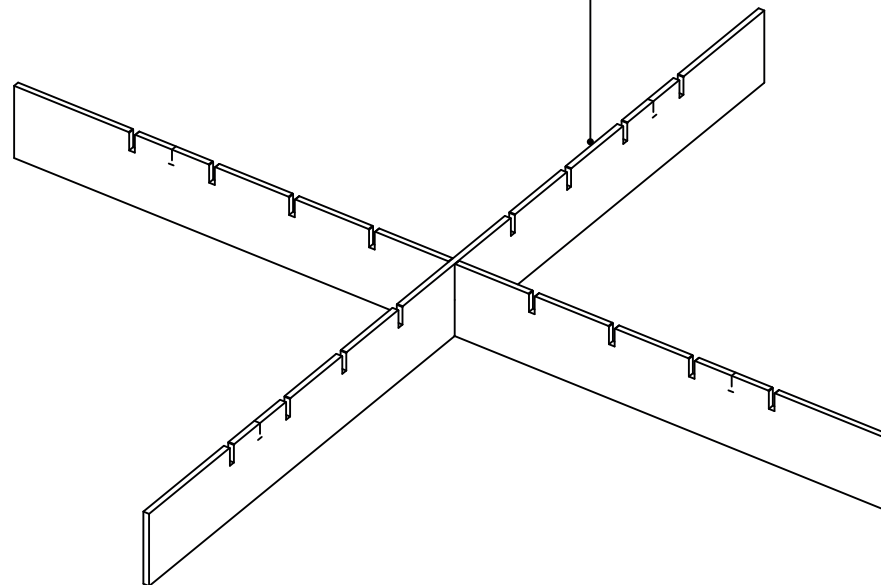
## PARTIAL ASSEMBLY X



1) Assemble cloud profiles 1A & 1B as shown.  
Note position of mounting slits.

### STEP 1

## PARTIAL ASSEMBLY X

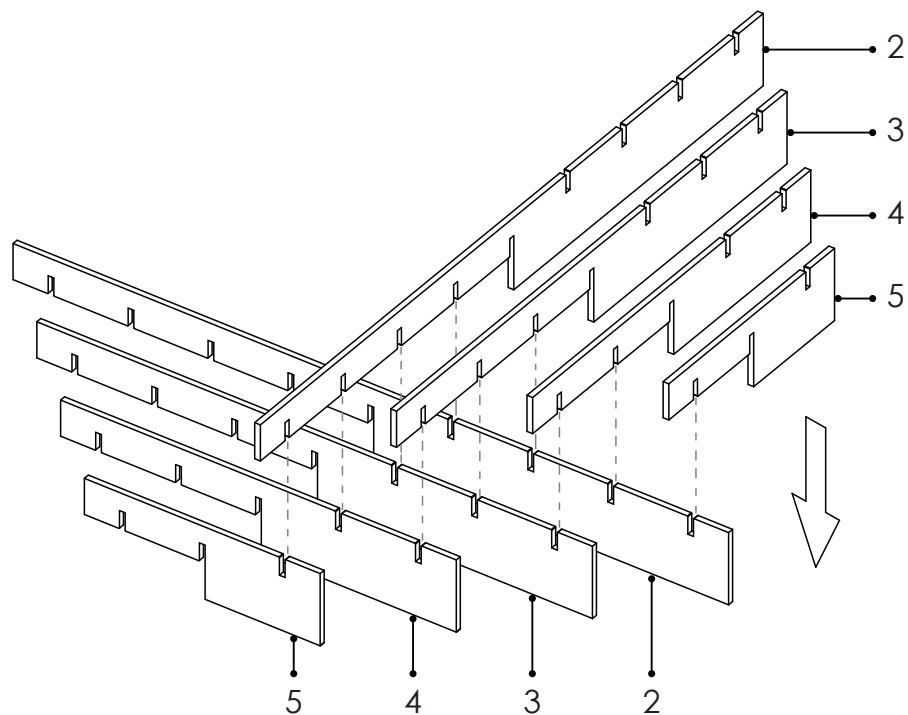


2) "Partial Assembly X" is complete. Put this aside for later.

### STEP 2

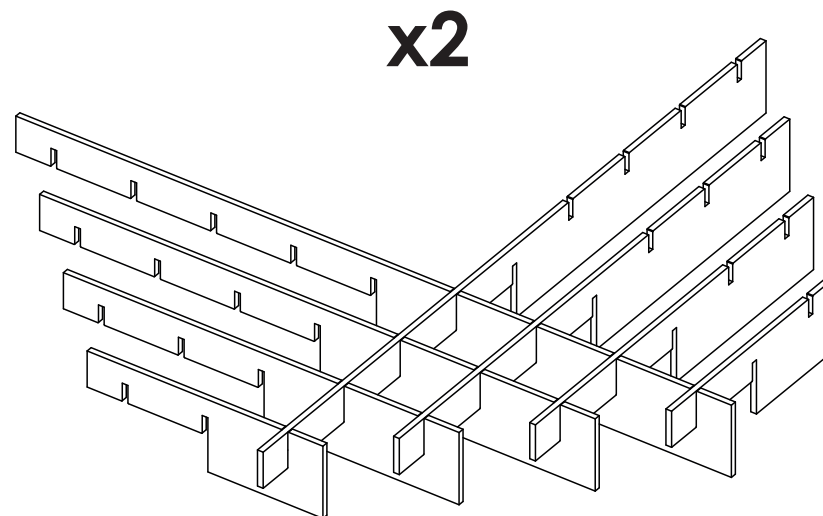
# DRANTE CLOUD ASSEMBLY

## PARTIAL ASSEMBLY Y



3) Assemble cloud profiles 5,4,3 & 2 as shown.

### STEP 3

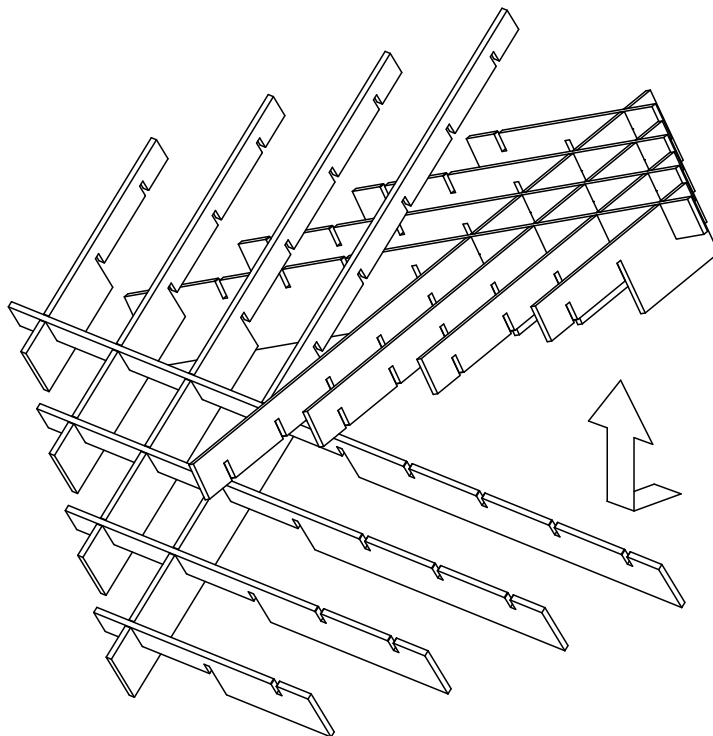


4) Create 2 of the above assemblies.

### STEP 4

# DRANTE CLOUD ASSEMBLY

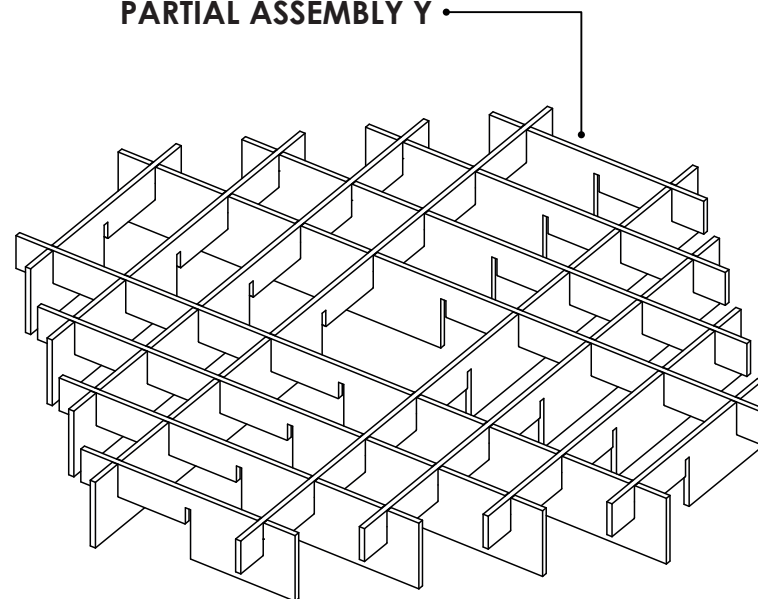
## PARTIAL ASSEMBLY Y



5) Interlock the two assemblies created in the previous step.

### STEP 5

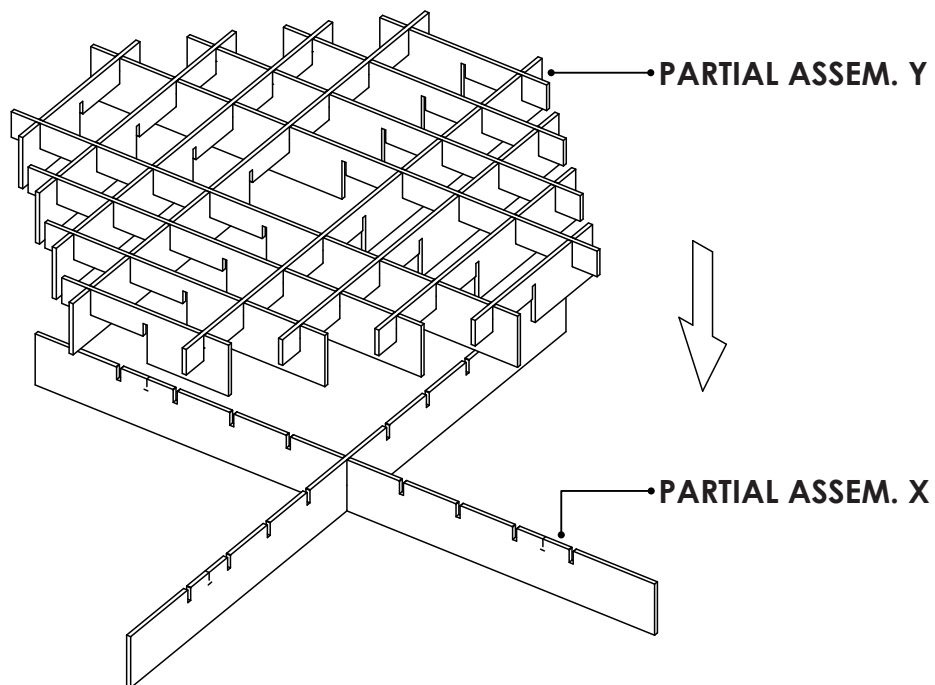
## PARTIAL ASSEMBLY Y



6) "Partial Assembly Y" is complete.

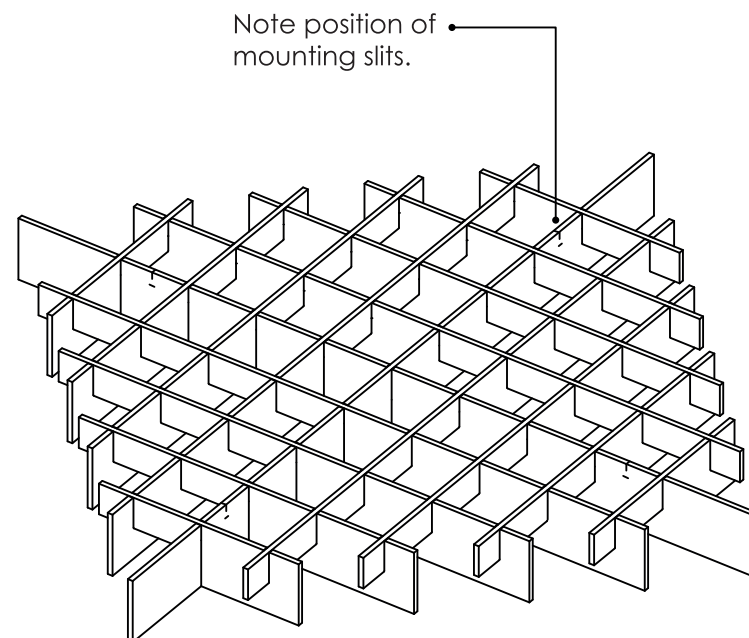
### STEP 6

# DRANTE CLOUD ASSEMBLY



7) Join "Partial Assembly X" with "Partial Assembly Y" as shown.

## STEP 7



8) Assembled "Drante Cloud".

## STEP 8